

Active RFID Readers

SCIEL READER IP2

Ref. SCIBT68B

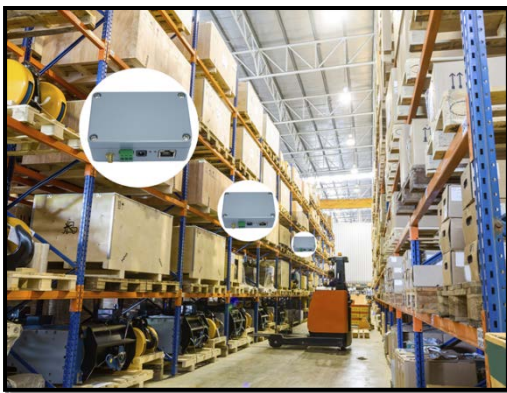


SCIEL READER WF2

Ref. SCIBT69B



- ⦿ Powerful "Active RFID gateway" your Ethernet local network or your WIFI network
- ⦿ Compact and robust aluminium housing dedicated for the industrial applications
- ⦿ Integrated PoE feature for the SCIEL READER IP2
- ⦿ Multiples IP protocols supported for the network management with your LAN / WIFI network
- ⦿ [Available in IP68 Waterproof version](#)



Technical specifications	
External power supply	9-48 VDC
Average current	150 mA max
Frequency	433,92 MHz (868MHz version: SCIEL READER IP2H or SCIEL READER WF2H)
Receiving range	Adjustable by software command. Up to 150m (depending on external antenna)
Operating temperature	-20°C to +60°C
Supported IP protocols (network admin)	TCP/IP, UDP/IP, ARP, Telnet, ICMP, SNMP, DHCP, BOOTP, TFTP, AutoIP, HTTP
Settings	Device Installer software (IP network settings) & ETER configuration software (Active RFID settings) running under Windows XP, W7, W8
RFID antenna connector	SMA-F
Power supply connector	2.1 mm power jack plug 3.81mm pitch screw connector
DEL indicators	Power (yellow), frame receipt (blinking yellow) Ethernet / WIFI connection (blue) On the Ethernet port: network speed (green), network communication (yellow)
Housing	Aluminium with anti-oxydation paint – 98 x 64 x 36 mm
IP waterproof	IP52
Standards	EN 301 489 – 3 : 2002 V1.4.1 ; EN 300 220 – 2007 : V2.1.2 ; CE ; RoHS certified
ETHERNET VERSION	
Output interface	Ethernet 10Base-T or 100Base-TX (Auto-sensing) Open collector output (0.1A, 30V)
PoE feature (Power over Ethernet)	Fully Compliant IEEE 802.3af PD Interface
Ethernet connector	RJ45 Ethernet
Accessories	1.5m RJ45 cable included SMA-M BNC antenna converter included Mini straight RFID 433MHz antenna included Male Power Supply removable connector included DIN RAIL mounting clip – DIN CLIP01 (not included)
WIFI VERSION	
Output interface	WLAN interface - IEEE 802.11 b/g/n (2.4 GHz only) Open collector output (0.1A, 30V)
WIFI antenna connector	SMA-F-RP
Accessories	Black articulated WIFI antenna integrated SMA-M BNC antenna converter included Mini straight RFID 433MHz antenna included Male Power Supply removable connector included DIN RAIL mounting clip – DIN CLIP01 (not included)

Active RFID Readers IP68 Waterproof version

SCI EL READER IP2E

Ref. SCIBT70B

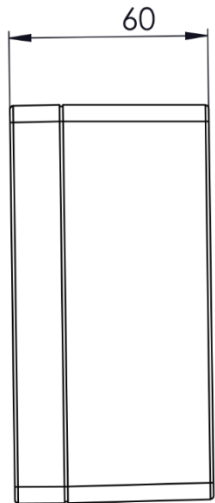


SCI EL READER WF2E

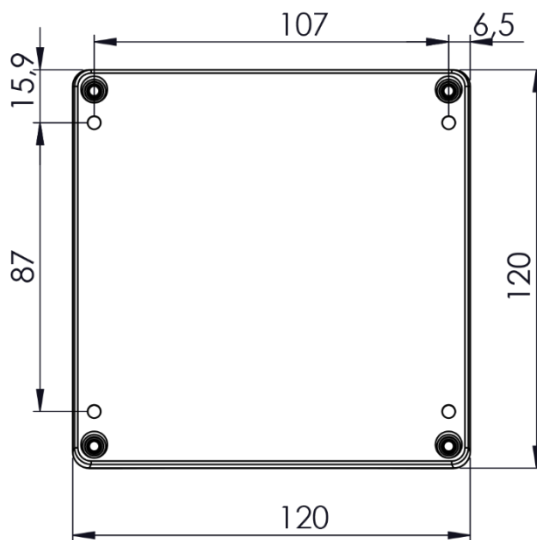
Ref. SCIBT71B



Mechanical Specifications (in mm)



Lateral section



Cover

Technical specifications	
Housing	ABS
IP Waterproof	IP68
Total weight	660 g
Standards	EN 301 489-3 : 2002V1.4.1 EN 300 220-2007 : V2.1.2 CE ; Certifié RoHS